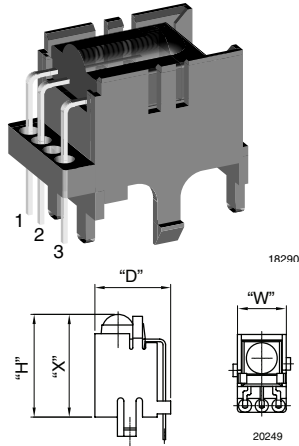


IR Receiver Modules for Remote Control Systems


FEATURES

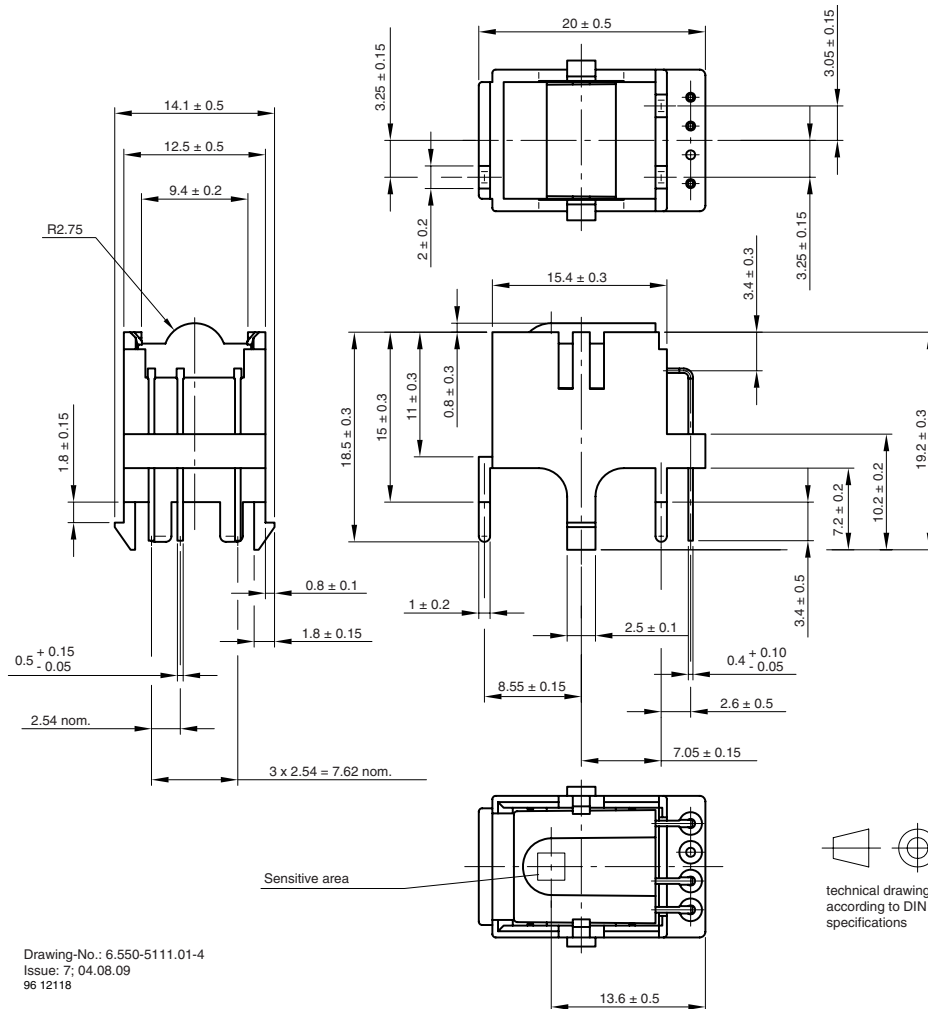
- Compliant to RoHS directive 2002/95/EC and in accordance to WEEE 2002/96/EC


AVAILABLE FOR:

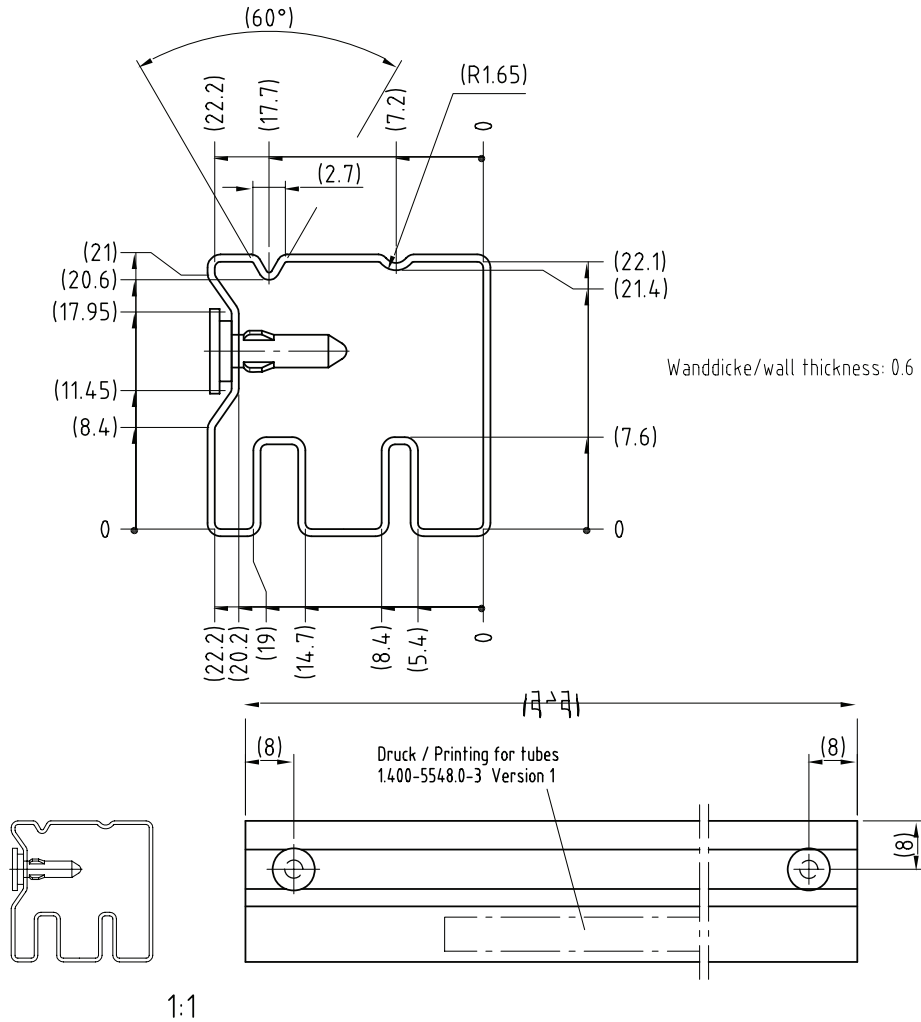
- TSOP31...
- TSOP1...


RoHS
COMPLIANT

NAME	LENS AXIS (X)	VIEW	TYPE	HEIGHT (H)	WIDTH (W)	DEPTH (D)
TB1	15.8	Top	Holder	15.8	12.5	20

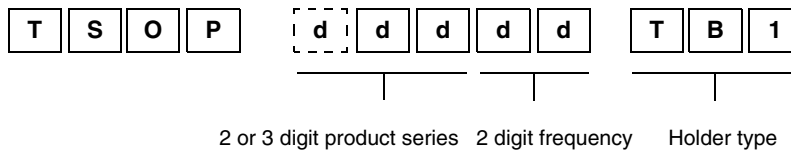
MECHANICAL DIMENSIONS in millimeters


PACKAGING DIMENSIONS in millimeters



Drawing-No.: 9.700-5149.0-4
Rev. 6; Date: 20.11.03
20307-1

ORDERING INFORMATION



Note

d = "digit", please consult the list of available series on the previous page to create a valid part number.

Example: TSOP31238TB1

PACKING QUANTITY

- 42 pieces per tube
- 18 tubes per carton